

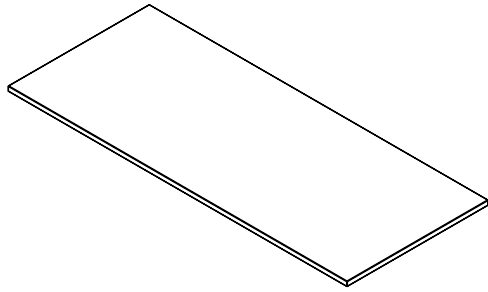
---

## Axis Mobile Table

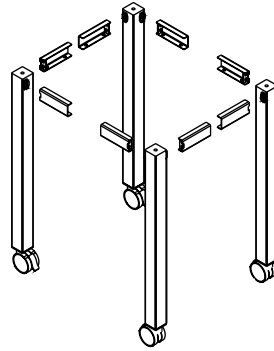
Assembly Instructions

# Axis Mobile Table

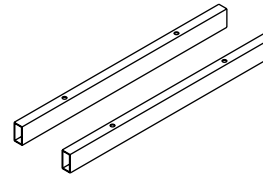
## Components List



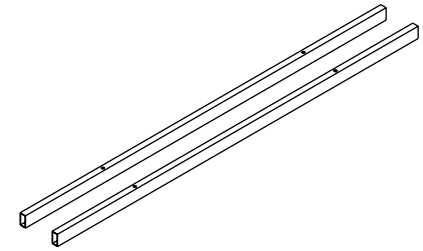
Axis Worktop



Axis 90° Corner Leg Set 4 KD



2 x Desk Rail



2 x Desk Rail



16 - M6 x 20

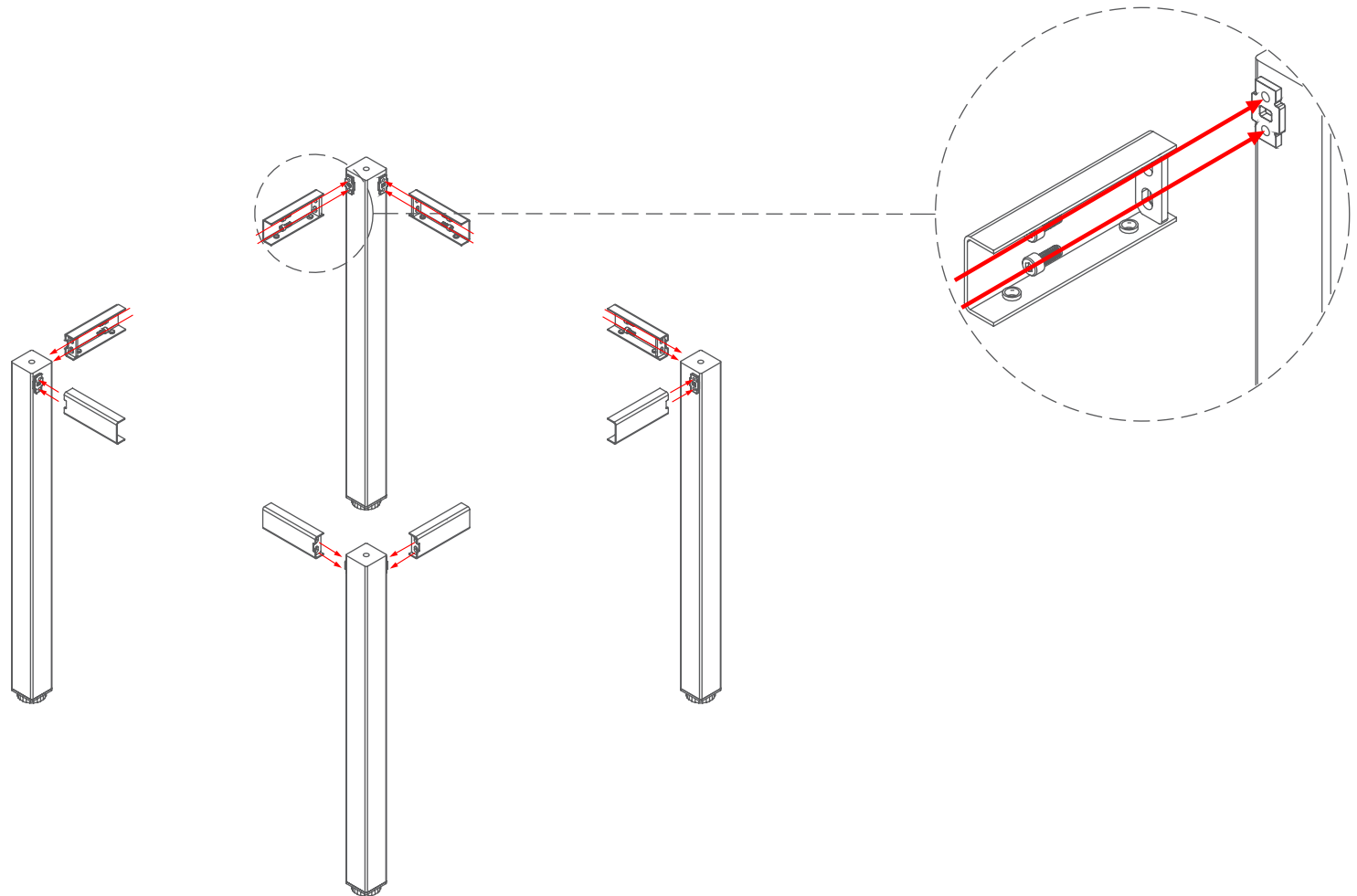
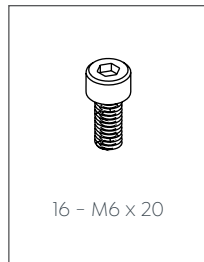


16 - M8 x 16



8 - ST5 x 70

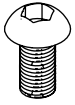
### STEP 1:



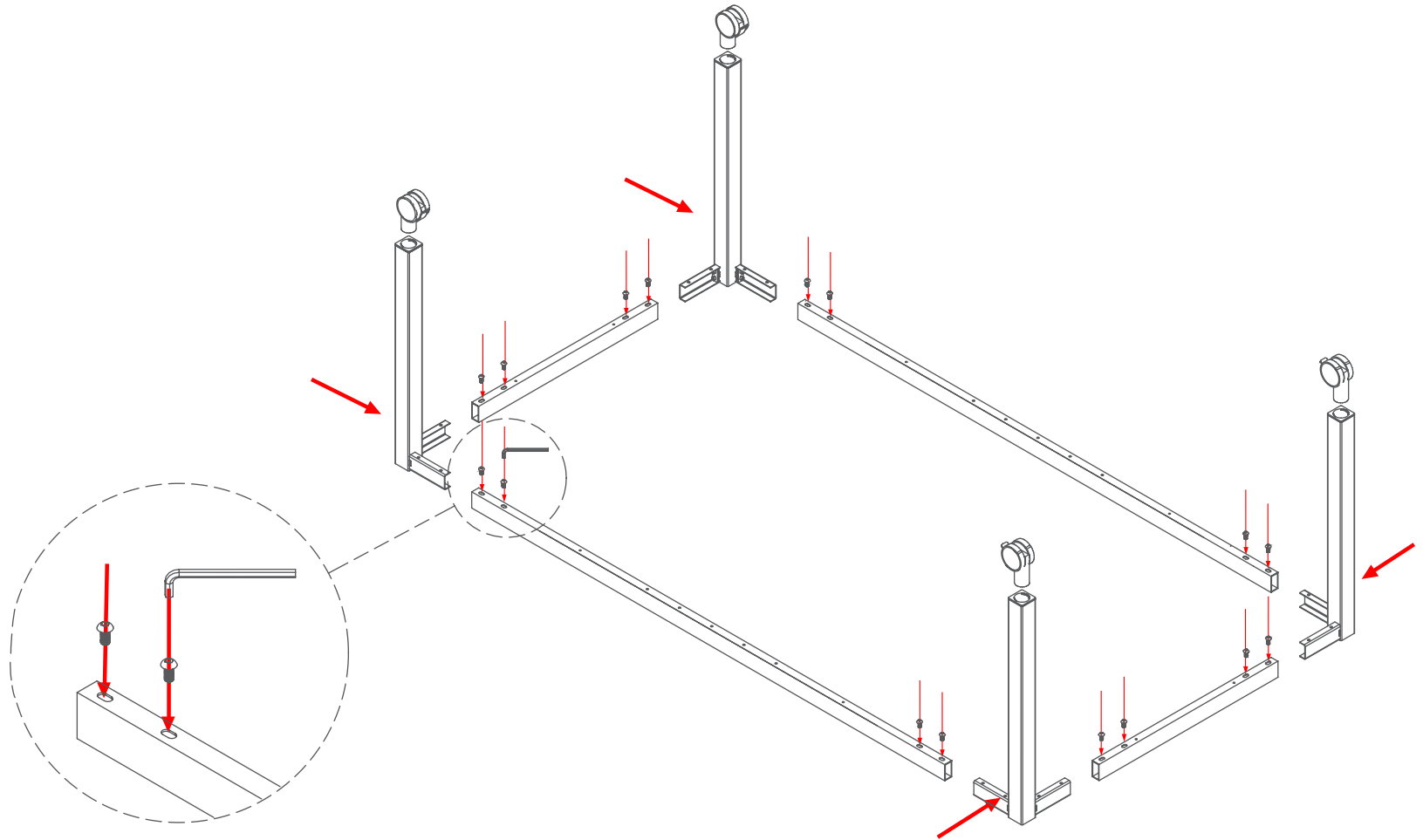
# Axis Mobile Table

## Components List

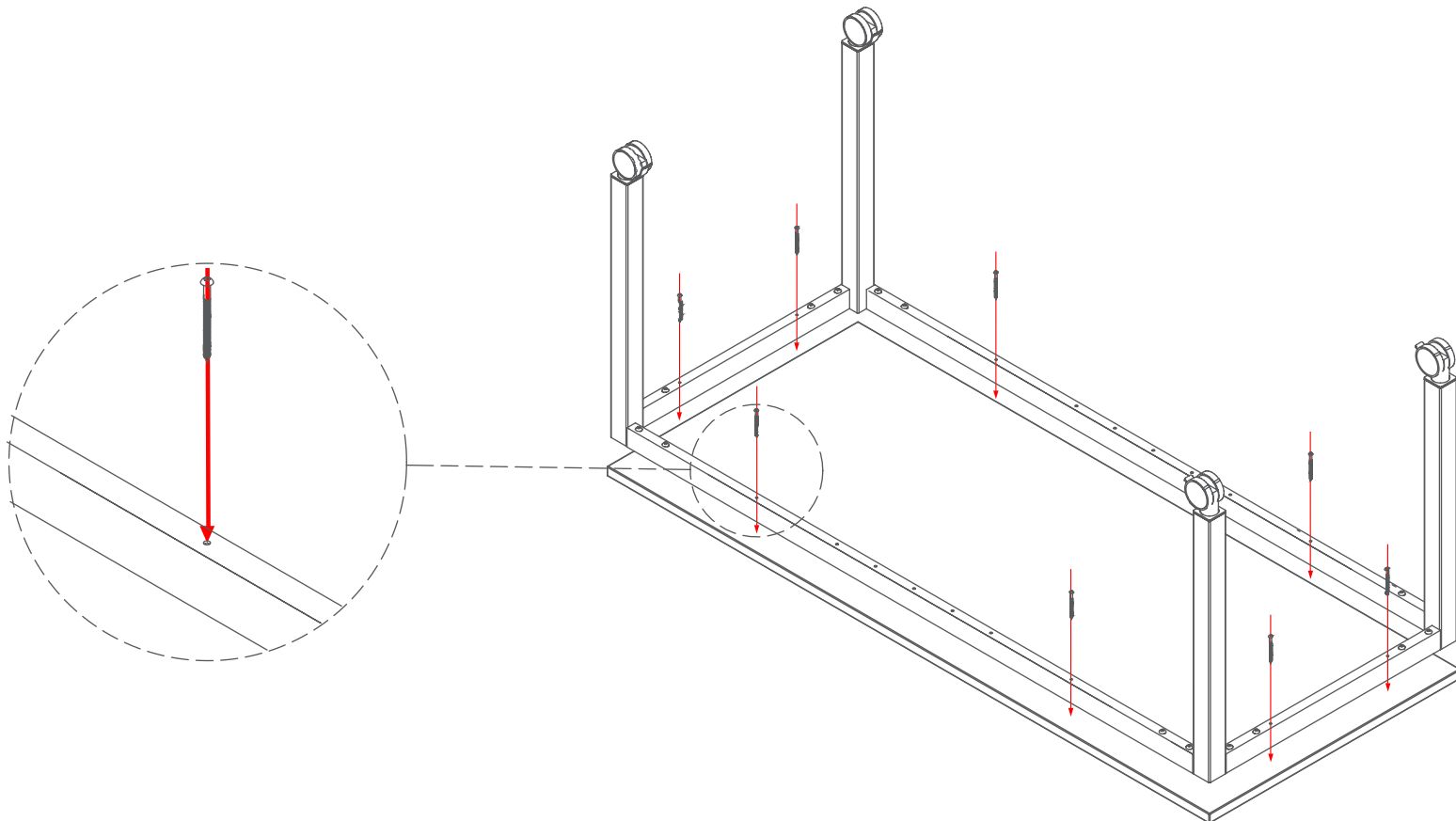
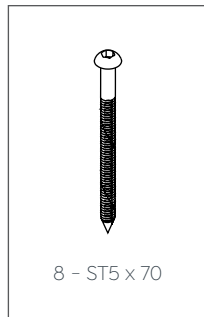
### STEP 2:



16 - M8 x 16



### STEP 3:



# Axis Mobile Table

Components List

---

**Complete:**

